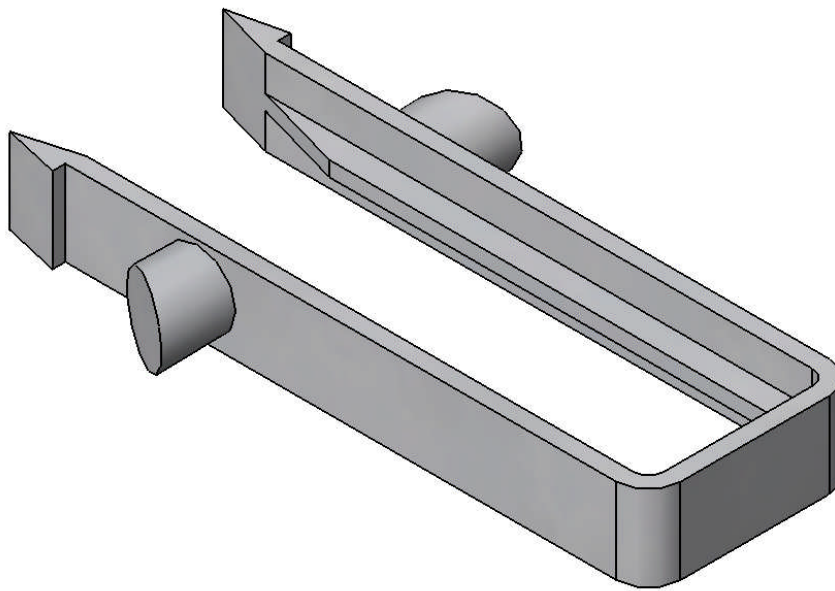


TECHNICAL REFERENCE DRAWING

RAIL CLIP



**PROPRIETARY AND
CONFIDENTIAL**

THE INFORMATION CONTAINED IN THIS
DRAWING IS THE SOLE PROPERTY OF
NATURES COMPOSITES. ANY
REPRODUCTION IN PART OR AS A WHOLE
WITHOUT THE WRITTEN PERMISSION OF
NATURES COMPOSITES IS PROHIBITED.

PART NUMBER

NC-FA101

DESCRIPTION

RAIL CLIP

DRAWN BY: JTM DATE: 04/28/2014



NATURES COMPOSITES™

ORGANIC BUILDING PRODUCTS
1302 INDUSTRIAL PARK AVE.
TORRINGTON, WYOMING 82240
(307) 532-9942

WWW.NATURESCOMPOSITES.COM